

Rugged Metal Card Guides, Decks, and Frames

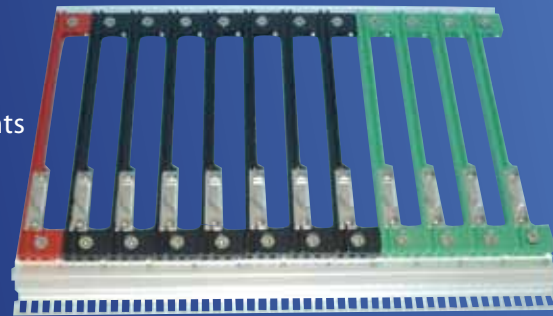
901 Series for VME, VME64X, VXS, and cPCI



FEATURES

- Triple E offers single piece card guides made of extruded aluminum
- All metal construction offers significant improvement over plastic
 - No risk of out-gassing, burning, or breaking in extreme environments
- Designed to withstand harsh military and industrial applications
- Custom width decks can be configured
- Visit our website for more information: www.tripleease.com
- Flexible - can be configured to accomodate different board widths

Triple E - Ruggedized Eurocard Packaging



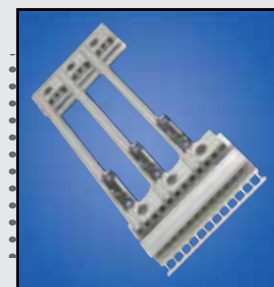
901 Series Card Guide

- 1101.10 Single Card Guide with Interface with Alignment Pin
- Sold as Pair of Top and Bottom
- ESD Clip is Included and Removable
- Gray and Green (PSU) Powder Coat Finish is Standard
- Other Finishes Available Upon Request



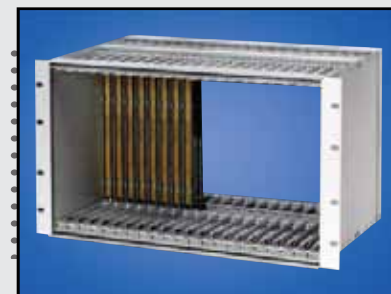
901 Series Card Deck

- Uses Single 901 Series Card Guides
- Sold as Pair of Top and Bottom
- Standard Offering is 21 Slots
- Contact Sales to Custom Configure Other Slot Widths



901 Series Card Frame

- Standard Configuration is 21 Slots, 4HP Spacing
- Contact Sales to Custom Configure Other Slot Widths
- Perfect Kit for Lab/Prototyping
- Flexible - Can be Configured for 4HP, 8HP, and 12HP Pitch to Accomodate Various Board Widths



Contact our Sales Department by phone at 1-888-444-1644 or by email at tripleesales@xtech-outside.com



WWW.TRIPLEEASE.COM | 1-888-444-1644

TECHNICAL SPECIFICATIONS

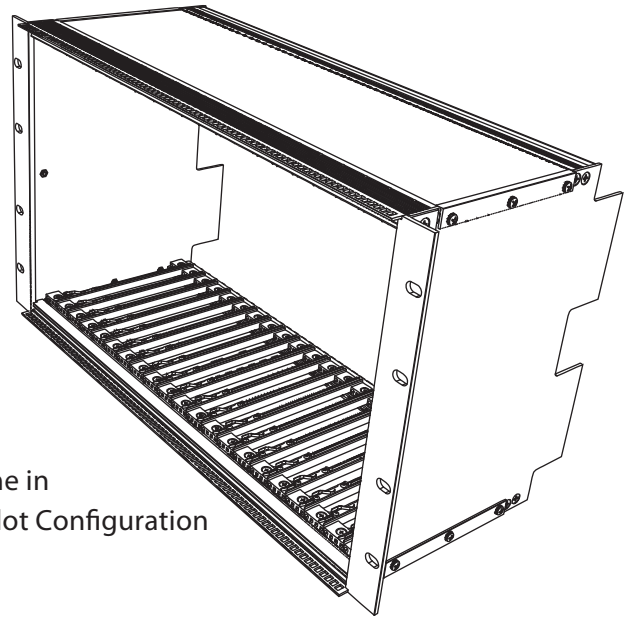
Delivery Includes:

Card Decks:

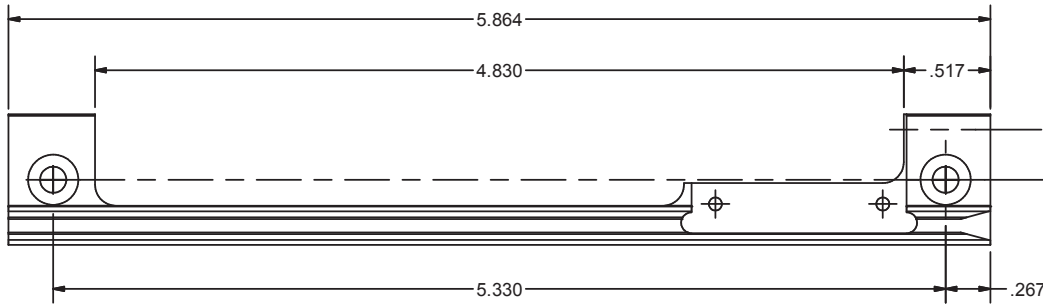
- Two (2) Backplane Insulators (.060" thick) for Top and Bottom Rail
- Four (4) Nutbars (Zinc Chromated-RoHS Compliant)
- Front and Rear Rails (Chromated-RoHS Compliant), Front Rails with Ejector Lip

Subracks:

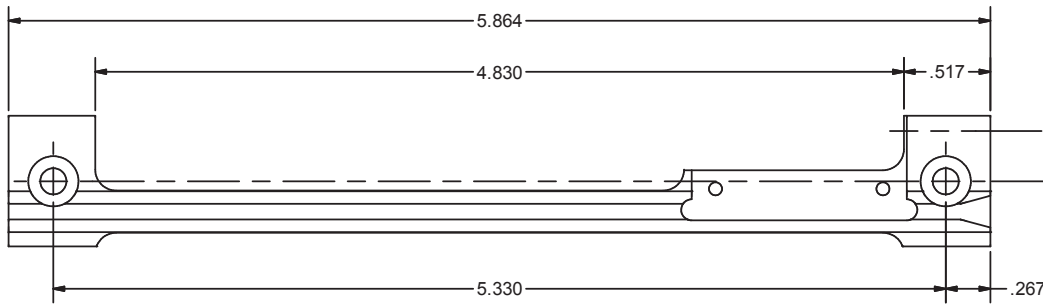
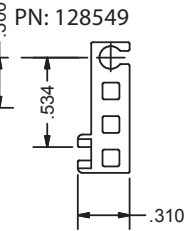
- Two (2) Backplane Insulators (.060" thick) for Top and Bottom Rail
- Four (4) Nutbars (Zinc Chromated-RoHS Compliant)
- Front and Rear Rails (Chromated-RoHS Compliant), Front Rails with Ejector Lip
- Two (2) Flanged Side Plates (Gray Powder Coated)



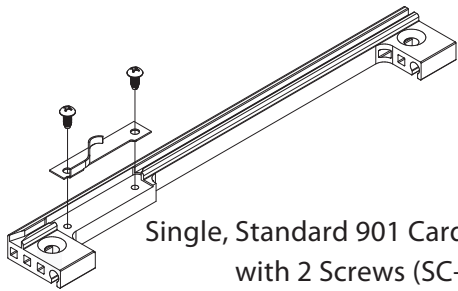
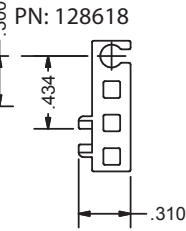
Complete 901 Card Frame in Standard 21 Slot Configuration



Standard 901 Card Guide (Gray)
Model: CGS-902-S-01-16-A1



Power Supply 901 Card Guide (Green)
Model: CGS-902-P-01-16-GN



Single, Standard 901 Card Guide with 2 Screws (SC-01248) and ESD Clip

PN	Model	Description	Finish	Color	Order Qty
128549	CGS-902-S-01-16-A1	160mm, 1 Slot, with Clip	Powder Coat	Gray	
128618	CGS-902-P-01-16-GN	160mm, 1 Slot for PSU, with Clip	Powder Coat	Green	
128502	CGS-902-R-01-08-A1	80mm, RTM 1 Slot, with Clip	Powder Coat	Gray	

PN	Model	Description	Finish	Color	Order Qty
131393	GDCT-21-16-S-A-IC	21 Slot 160mm Card Guides, 85HP Wide	Chromate		MOQ 5
131394	GDCT-21-16-S-A-A1	21 Slot 160mm Card Guides, 85HP Wide	Powder Coat	Gray	MOQ 5

PN	Model	Description	Finish	Color	Order Qty
131392	CC90-6U-21-160-19-A1	21 Slot, 6U, 160mm, with Flanges	Powder Coat	Gray	MOQ 5



tripleesales@xtech-outside.com
358 North Street, Randolph, MA 02368
www.tripleease.com
US Sales: 1-888-444-1644

Shop online at www.xtech-outside.com/store



Download 3D Models and Drawings at
<http://www.tripleease.com/drawing-download-registration-login.htm>