

## Patented aluminum card guide system meets IEEE1101.10 standards.

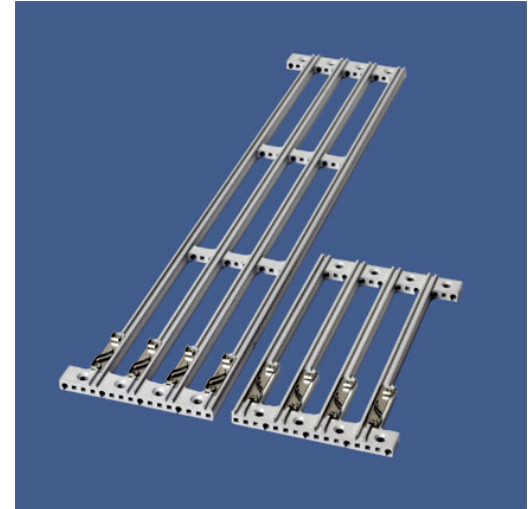
### Extruded aluminum card guides for CompactPCI and VME64x

Triple E offers the first all aluminum IEEE1101.10 card guide cluster, a significant improvement compared to conventional plastic card guides. This unique all aluminum card guide system provides a strong, durable and rugged guide deck assembly making it the best choice for rugged COTS applications. Unlike plastic card guides, the solid aluminum design eliminates the risk of breaking, out-gassing or burning in harsh commercial, industrial and military environments.

*Our card guides are securely attached to rail extrusions using 6-32 stainless steel screws, thus eliminating the possibility of un-used guides falling out.*

*With Triple E's patented all aluminum extruded card guides and our extensive in-house machining capability, the custom possibilities are virtually unlimited.*

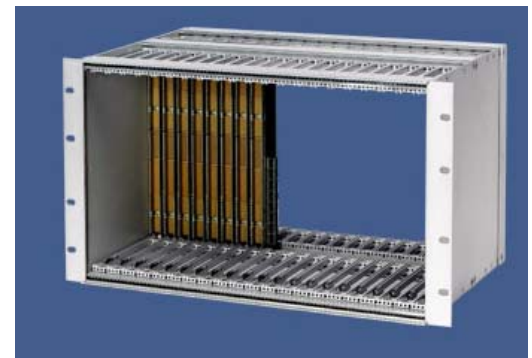
***The 901 series card guide / clusters can be retrofitted into most enclosure designs that are already fitted with plastic card guides.***



Various length one-piece guide clusters available. Includes ground clip, ESD clip and mounting screws.

### Key information:

- ✓ All aluminum extruded card guide clusters (Patent No. 5,506,751)
- ✓ Off-set clusters for power supplies available as a single slot or 2 slot cluster
- ✓ Accepts standard 0.062 thick PCB
- ✓ Standard 4HP (0.80") card pitch
- ✓ Available as a 1, 2, 3 or 4 slot wide cluster
- ✓ Available in standard card depths from 80mm to 400mm
- ✓ No plastic parts used in fabrication or assembly
- ✓ All surfaces finished with a durable smooth aluminum powder coat over clear chromate, except where conductivity is required.



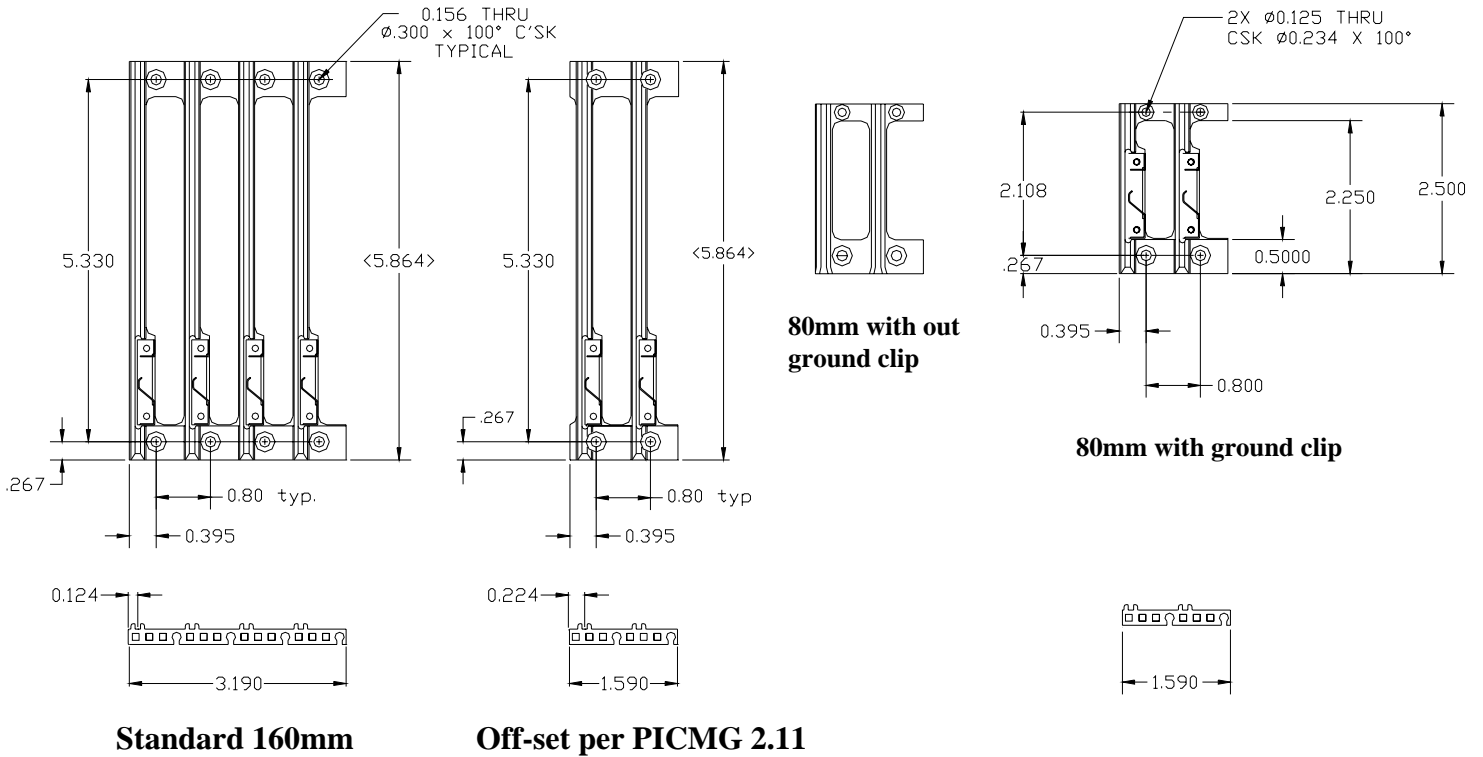
Complete cardframes are available

### Industry standards:

- ✓ IEEE1101.10 and IEEE1101.11
- ✓ PICMG 2.11 for power supplies
- ✓ Designed to meet shock per MIL-STD-901
- ✓ Designed to meet vibration per MIL-STD-167



## Specifications:



Each aluminum guide cluster kit contains the following: One upper and lower card guide or cluster, ESD and ground clips for every slot and 6-32 thread forming screws. The aluminum guides have a smooth aluminum powder coat finish over a clear CHEM finish. Parts of the guides that require conductivity are masked off.

### Aluminum Card guide / guide clusters: sold in pairs, ie top and bottom

	160mm	PICMG 2.11 160mm	w/GND clip 80mm	w/out GND clip 80mm
<b>1 slot</b>	CGS-902-S-01-16-A1	CGS-902-P-01-16-GN	CGS-902-R-01-08-A1	CGS-902-T-01-08-A1
<b>2 slot</b>	CGS-902-S-02-16-A1	CGS-902-P-02-16-GN	CGS-902-R-02-08-A1	CGS-902-T-02-08-A1
<b>3 slot</b>	CGS-902-S-03-16-A1		CGS-902-R-03-08-A1	CGS-902-T-03-08-A1
<b>4 slot</b>	CGS-902-S-04-16-A1		CGS-902-R-04-08-A1	CGS-902-T-04-08-A1

Other slot depths available, Please consult factory.