

## E+Plus 3600 series

- VME
- Rugged
- Aluminum card guides
- Range of VME Backplane Options
- Fully Integrated

*Triple E has a special team dedicated to subsystem design, which typically includes such components as a backplane, a power supply and cooling devices, all completely assembled and fully tested. Triple E is the vendor of choice for companies requiring reliable, rugged systems configured to specification and delivered on time.*

*Triple E's enclosures are built with an all aluminum construction which has a durable powder coat finish. The power supply is mounted on a removable rear panel for ease of access to backplane and serviceability.*

*The E+Plus 3600 series of enclosure is constructed using our patented aluminum (MaxAir™) guide deck assemblies. These guide decks are recessed from front approx 60mm allowing cables to be routed front to back. Accommodates 6U x 1,6mm x 160mm size boards. Designed with front to back cooling optimizing airflow*

*Each unit comes with a hinged door, with viewing window that is easily removed. Power Supply voltage LED's located on front of unit for easy monitoring. Additionally, various options are available for peripheral mounting.*

*Designed to meet EIA310 and IEC 297 rack-mount standards.*

*Designed to survive shock per MIL-STD-203 and survive vibration per MIL-STD-167.*



### Backplane specifications:

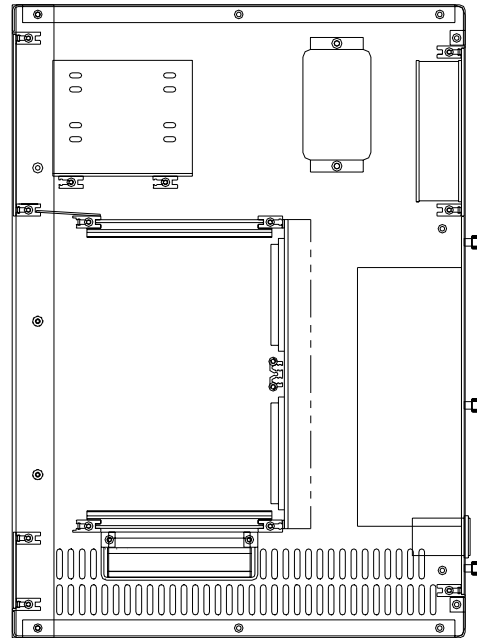
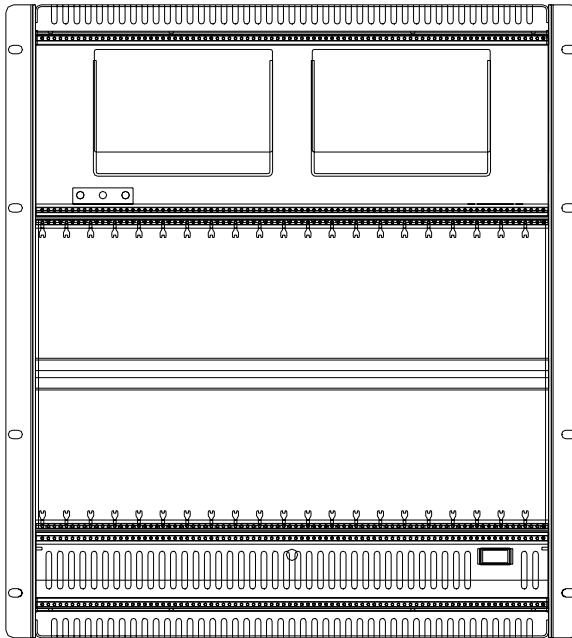
*Conforms to VME64 specification (ANSI/VITA1-1994)  
8-layer stripline construction, 2oz. Copper power & ground  
PCB UL recognized 94V-0, Material FR-4 or equivalent  
OnBoard, inboard termination  
Outer ground layers for mechanical protection and EMI/RFI shielding  
BusGrant / IACK daisy chain connectors used.*

### Power Supply specifications:

*Nominal input: 115 – 240 VAC  
Operational input: 90 - 264 VAC  
Outputs: +5VDC, +12VDC, -12VDC  
EMC: Meets EN55022 level A / FCC class A conducted  
Safety: UL1950, CSA C22.2 No. 950, EN60950*

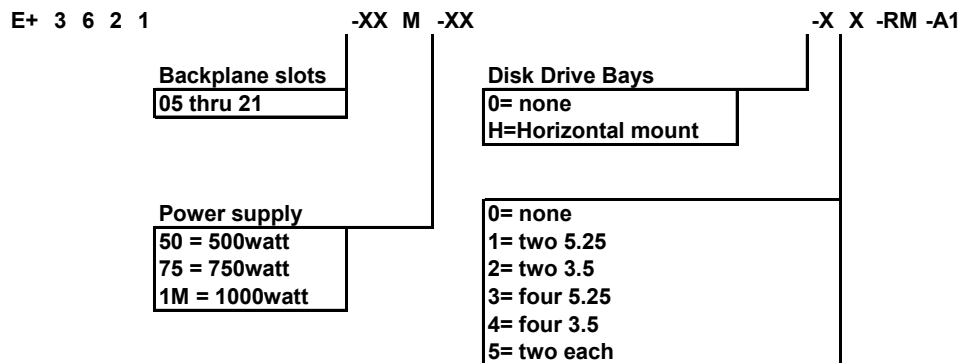


## Specifications:



E+3600 SERIES: 12U tall x 19" rack-mount x 15" deep

## System Enclosure Order codes



**Example:**  
 A 21 slot, 6U x 160mm, Vertical rackmount enclosure with a 21slot monolithic backplane 1000watt power supply and a two horizontal 3.5" drives, smooth aluminum powder coat finish.

Our part number: E+3621-21M-1M-H2-RM-A1

Please note that all backplane sizes may not be available, please consult factory.