



TRIPLE E[™]

D+Plus[™] VME64x Enclosure

D+Plus 2600 series of VME64x enclosures

Triple E has a special team dedicated to subsystem design, which typically includes such components as a backplane, a power supply and cooling devices, all completely assembled and fully tested. Triple E is the vendor of choice for companies requiring reliable, rugged systems configured to specification and delivered on time.

All of Triple E's enclosure's are constructed using our patented aluminum (901 series) guide deck assemblies. Accommodates 6U x 1,6mm x 160mm and 6U x 1,6mm x 80mm transition size boards. Fully compliant to IEEE1101.10 and IEEE1101.11. Designed with front to back cooling optimizing airflow. Three 150CFM fans are located under front PCB area.

Triple E's enclosures are built with all aluminum construction with a durable powder coat finish. Power Supply voltage LED's located on front of unit for easy monitoring. Comes with rear hinged panel for easy access to rear of backplane and transition boards. Includes a removable blank I/O panel.



Backplane specifications:

Meets or exceeds ANSI/VITA 1.1-1997 VME extensions standards.

Exceeds ANSI/VITA 1-1994 and IEEE P1014 specifications.

10-layer controlled impedance stripline construction,

2oz. Copper power & ground

PCB UL recognized 94V-0, Material FR-4 or equivalent

Active BUSGRANT, IACK daisy chain

Compliant to VITA 1.7 for increased current

Operating Temperature:

-40^o C to +85^o C

Storage Temperature:

-55^o C to +85^o C

Power Supply specifications:

Nominal input: 115 – 240 VAC

Operational input: 90-264 VAC

Outputs: +3.3VDC, +5VDC, +/-12VDC

Operating Temperature:

-40^o C to +50^o C

Storage Temperature:

-40^o C to +85^o C

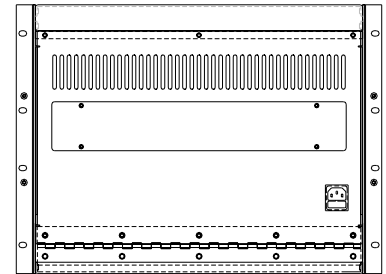
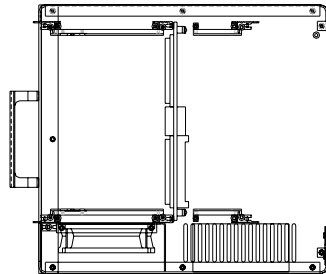
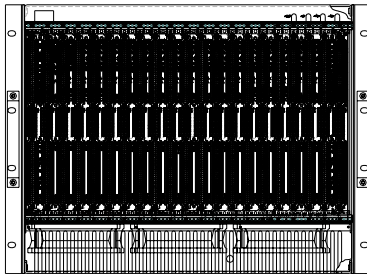
EMC: Meets EN55022 level A / FCC class A conducted

Safety: UL1950, CSA C22.2 No. 950, EN60950





Specifications:



8U tall x 19" rack-mount x 15" deep

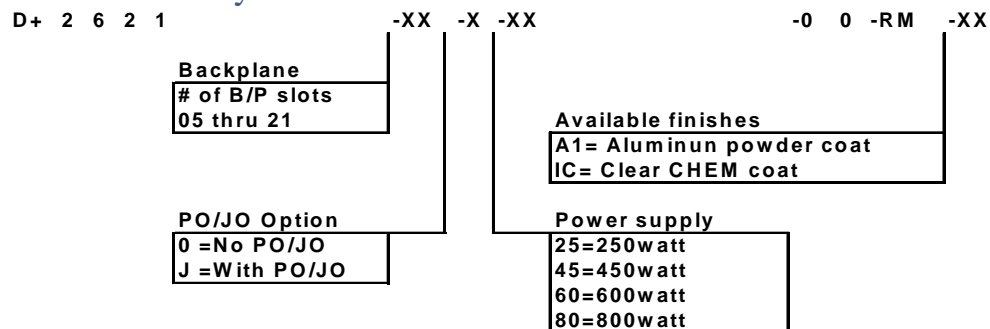
Power supply outputs:

250W = +5@40A, +3.3@20A, +12@4A, -12@1A
 450W = +5@50A, +3.3@40A, +12@12-20pk, -12@4A
 600W = +5@75A, +3.3@40A, +12@12-20pk, -12@4A
 800W = +5@120A, +3.3@40A, +12@12-20pk, -12@10A

Optional filler panels:

6U x 4HP: FP-X6-X4-E1-NH-N-IC
 6U x 8HP: FP-X6-X8-E1-NH-N-IC

System Enclosure Order Codes



Example part number:
 21slot backplane with PO/JO, 800W PSU

Our part number: D+2621-21-J-80-00-RM-IC