

## E+Plus 3600 series of VME enclosures

Triple E has a special team dedicated to subsystem design, which typically includes such components as a backplane, a power supply and cooling devices, all completely assembled and fully tested. Triple E is the vendor of choice for companies requiring reliable, rugged systems configured to specification and delivered on time.

Triple E's enclosures are built with an all aluminum construction which has a durable powder coat finish. The power supply is mounted on a removable rear panel for ease of access to backplane and serviceability.

The E+Plus 3600 series of enclosure is constructed using our patented aluminum (MaxAir™) guide deck assemblies. These guide decks are recessed from front approx 60mm allowing cables to be routed front to back. Accommodates 6U x 1,6mm x 160mm size boards. Designed with front to back cooling optimizing airflow

Each unit comes with a hinged door, with viewing window that is easily removed. Power Supply voltage LED's located on front of unit for easy monitoring. Additionally, various options are available for peripheral mounting.

Designed to meet EIA310 and IEC 297 rack-mount standards.

Designed to survive shock per MIL-STD-203 and survive vibration per MIL-STD-167.



### **Backplane specifications:**

Conforms to VME64 specification (ANSI/VITA1-1994)  
8-layer stripline construction, 2oz. Copper power & ground  
PCB UL recognized 94V-0, Material FR-4 or equivalent  
OnBoard, inboard termination  
Outer ground layers for mechanical protection and EMI/RFI shielding  
BusGrant / IACK daisy chain connectors used.

### **Operating Temperature:**

-40° C to +85° C

### **Storage Temperature:**

-55° C to +85° C

### **Power Supply specifications:**

Nominal input: 115 – 240 VAC  
Operational input: 90 - 264 VAC  
Outputs: +5VDC, +12VDC, -12VDC

### **Operating Temperature:**

-40° C to +50° C

### **Storage Temperature:**

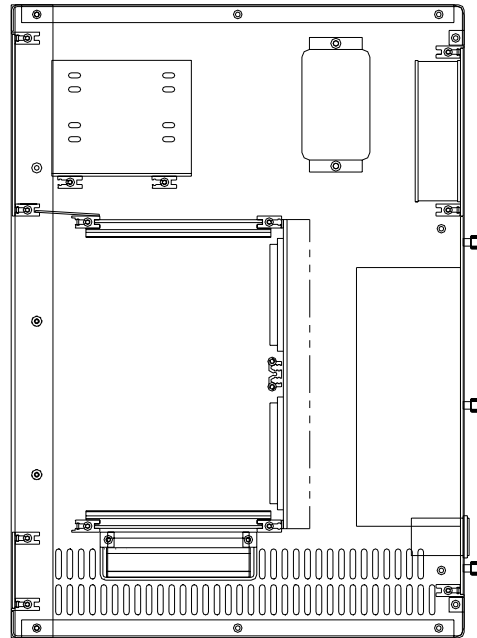
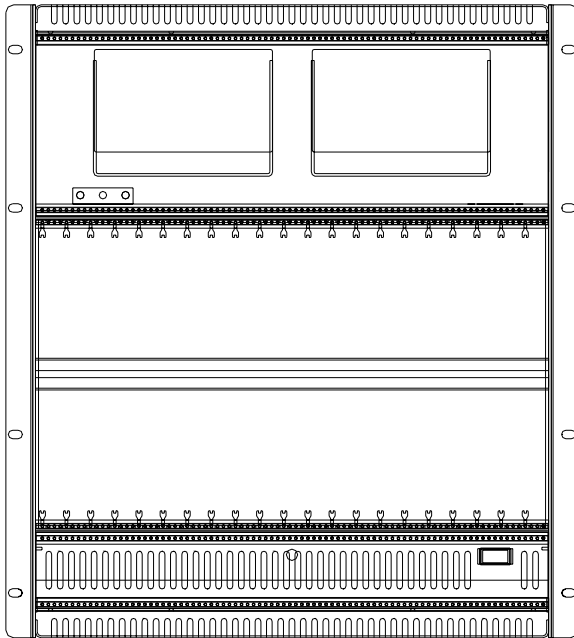
-40° C to +85° C

EMC: Meets EN55022 level A / FCC class A conducted

Safety: UL1950, CSA C22.2 No. 950, EN60950

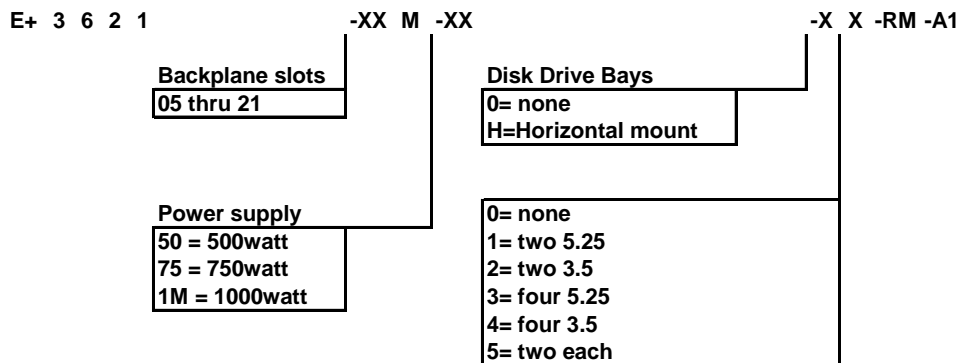


## Specifications:



E+3600 SERIES: 12U tall x 19" rack-mount x 15" deep

## System Enclosure Order codes



**Example:**  
 A 21 slot, 6U x 160mm, Vertical rackmount enclosure with a 21slot monolithic backplane 1000watt power supply and a two horizontal 3.5" drives, smooth aluminum powder coat finish.

Our part number: E+3621-21M-1M-H2-RM-A1

Please note that all backplane sizes may not be available, please consult factory.