

Integral EZ-Mount™ and solid metal handles have created a new standard for IEEE1101.10 front panels.

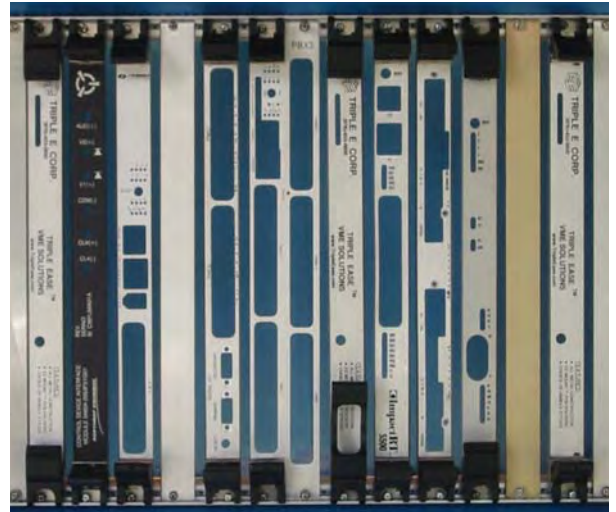
The next generation

TripleEase™ Front Panels incorporate advanced features and offer significant advantages in rugged COTS applications, including VME64x, VITA 41, VITA 46, PXI and CompactPCI.

Triple E all metal handles are extremely strong and will not break even under maximum load. Durable design incorporates stainless steel leaf spring and dowel pin, provides virtually unlimited insertion and extraction cycles.

Patented EZ-Mount integral PCB holder provides for easy and secure board attachment. The unique single piece extrusion design eliminates loose screws and retains structural integrity after repeated use. EZ-Mount provides simple and strong PCB mounting for 3U, 6U and 9U panels per VME specifications. EZ-Mount additionally provides secure mounting for two (8HP) and three (12HP) board stacks.

Continuous Contact EMI Gasket eliminates broken/bent fingers and electro-magnetic leakage from flat spots or gaps. Our shielded panels feature a Nickel plated BeCu EMI gasket that holds up under rigorous wear.



Advanced design, machine and finish techniques allow remarkable accuracy and detail in custom panel cutouts and silk-screens.

Complete Panel Assemblies

We strive to provide product solutions that rise above current industry standards. Our experienced design team is ready to work with you to create front panels tailored to your individual requirements – right down to the label identification and color.

Triple E rugged COTS solutions

include TripleEase panels with EZ-Mount, patented unbreakable injector/ejector handles, patented all aluminum card guides and stainless steel injector-ejector comb. Triple E card cages and systems are the strongest, most durable IEEE1101.10 solutions available.



FP-XX-XX-XX-24-BX-IC

Mat'l: Aluminum



FP-XX-XX-XX-24-BK-IC

Mat'l: Nylon



FP-XX-XX-XX-LT-BX-IC

Mat'l: Aluminum

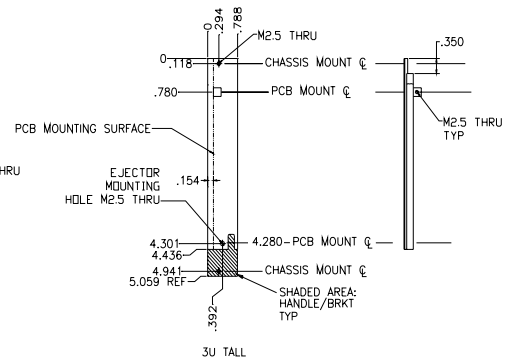
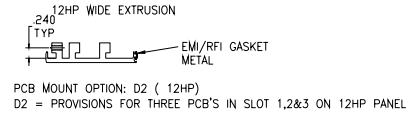
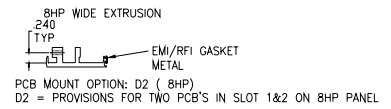
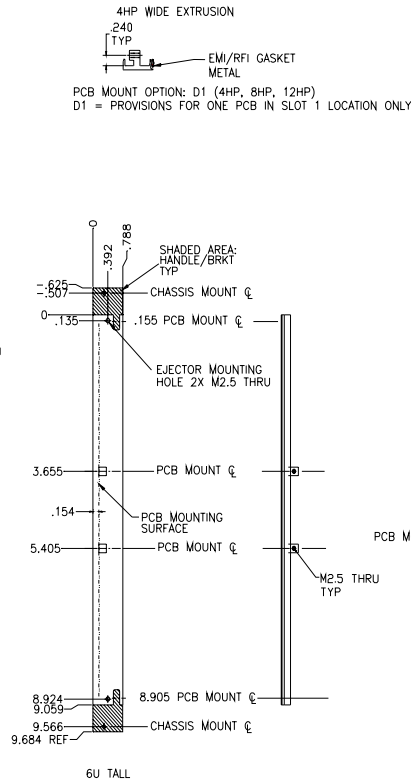
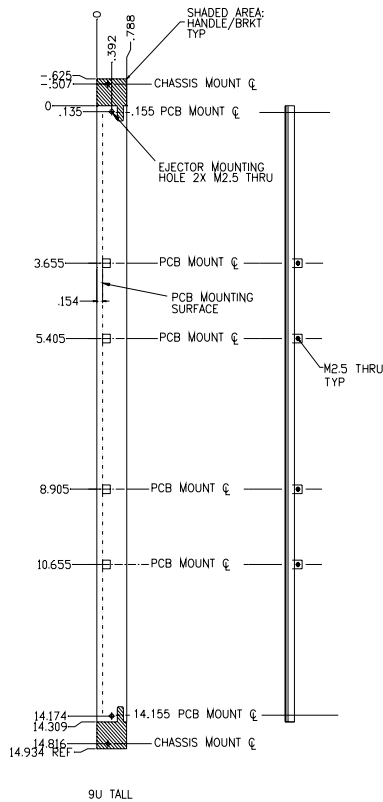


FP-XX-XX-XX-HT-BX-IC

Mat'l: Aluminum



Specifications:



Download a TripleEase Front Panel Design Kit today. Visit www.TripleEase.com/frontpanels.htm to download .DWG, .DXF or .IGS drawing templates. Just dimension cutouts and silk screen location, Triple E can quote and deliver complete custom front panel assemblies ready for PCB mounting.

Front panel specifications:

Material: Aluminum alloy, 6063-T6 or equivalent
Finish: Clear Chem Film, vertical grain

Ordering Information:

FP

-XX

-XX

-XX

-XX

-XX

-IC

Panel Height

X3 = 3U**
 X6 = 6U
 X9 = 9U

Panel width

X4 = 4HP
 X8 = 8HP
 12 = 12HP

Panel styles

D1 = with optional PCB mounts
 D2 = with optional PCB mounts
 E1 = w/out optional PCB mounts

Handle finish

BK = Nylon
 BX = Black medium texture powder coat

** Supplied w/single lower handle

Handle styles

24 = Standard handle
 LT = Low profile Aluminum handle
 HT = High Force Low profile, Aluminum

Note: If PCB mounts are required, These are located in both the upper and lower position per the VME specification unless otherwise specified.